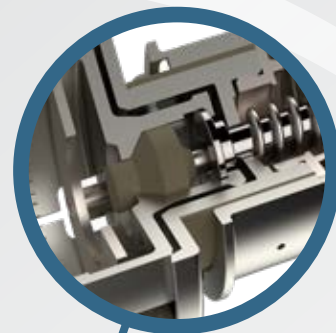




# ARTICULATING CHUCKS



**Better Bottling**  
**THE FBN WAY**

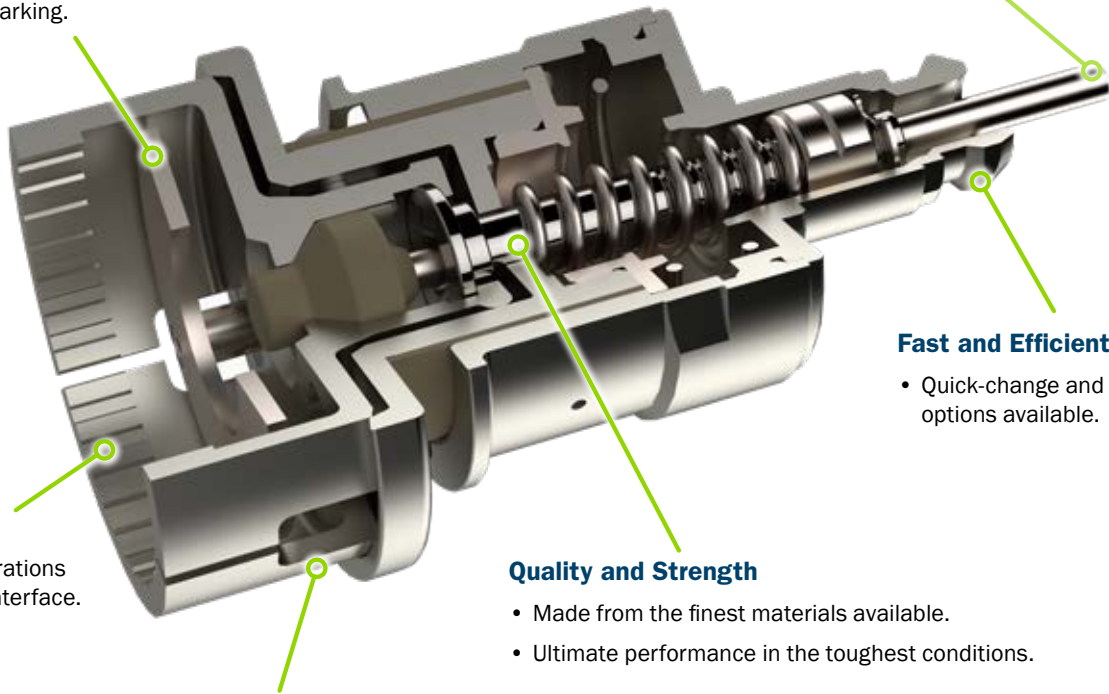
# OEM Quality at a Fraction of the Price— Made in America!

## Fully CNC Machined

- Buffed cap step plate to prevent cap marking.

## Meticulously Designed

- Exactly match stack-up for drop-in replacement.



## Craftsmanship

- Precisely cut serrations for perfect cap interface.

## Fast and Efficient

- Quick-change and greaseless options available.

## Quality and Strength

- Made from the finest materials available.
- Ultimate performance in the toughest conditions.

## Demanding Durability

- Hardened jaws and housing for longer use.
- Superior corrosion resistance.

## But Wait—There's More to Love About FBN!

### DITCH THE GREASE!

Our clutch never needs grease—even during assembly and rebuild!  
It's also the only clutch with a lifetime magnet guarantee.



EXPERIENCE THE QUALITY. [CLICK HERE TO CONTACT US TODAY.](#)



**Bottling Equipment, Sales, and Service**

928 Industrial Parkway, Plainwell, MI 49080 • T+269.685.0100 • F+269.685.1200 • [fbnsalesinc.com](http://fbnsalesinc.com)

**Better Bottling**  
**THE FBN WAY**